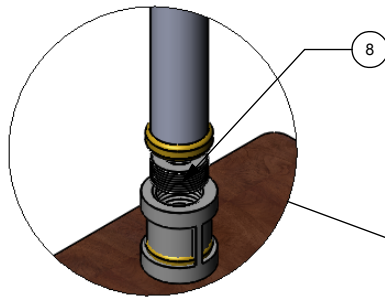
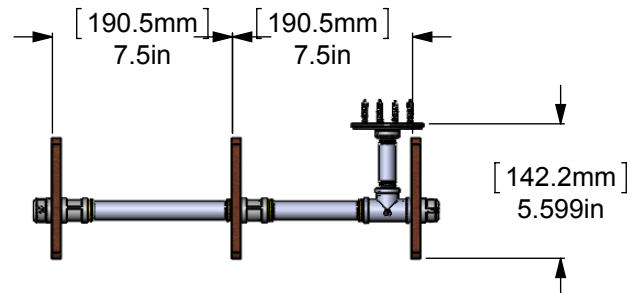
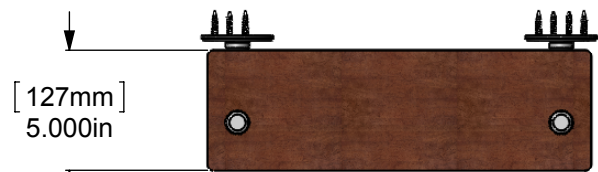
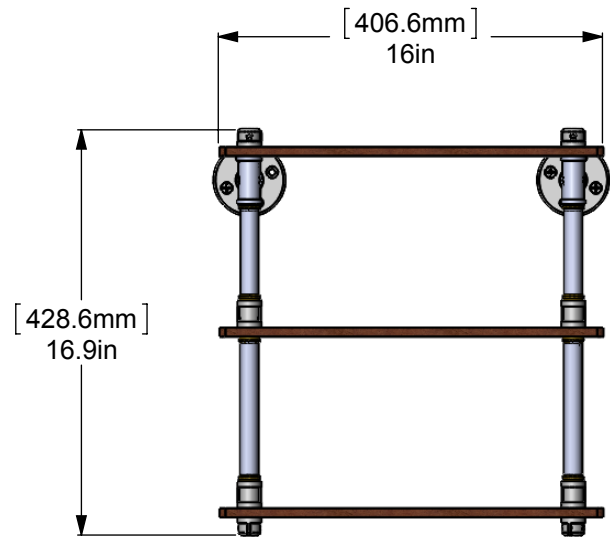
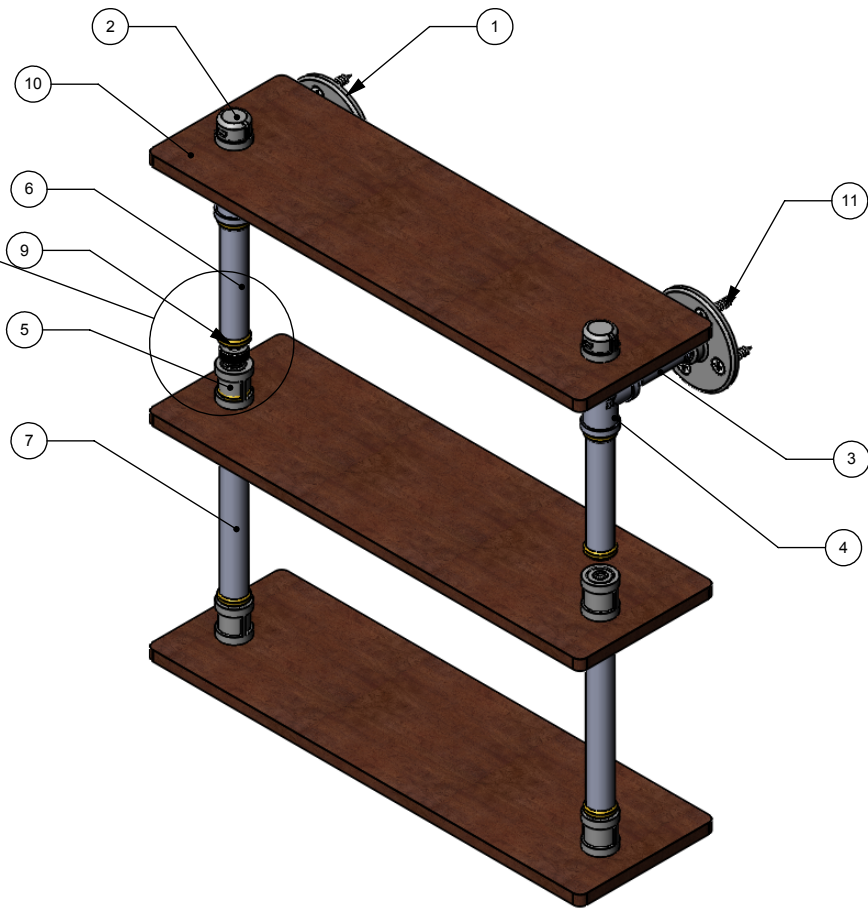


ITEM NO.	PART NUMBER	DESCRIPTION	QTY.
1	PIPE-FL38-3	3/8" FLANGE	2
2	PIPE-CAP-38	3/8" CAP	4
3	PIPE-NIP38-2.5	3/8" 2 1/2" NIP	2
4	PIPE-TEE-38	3/8" TEE	2
5	PIPE-CU-38	3/8" CUPLING	4
6	TU34-4	3/4" TUBE 4"	2
7	TU34-6	3/4" TUBE 6"	2
8	BUS-38X18	3/8" BUSHING	18
9	CRRD2-34	3/4" DOUBLE CK RING	8
10	IRWRT-16	IPE SHELF 16"	3
11	WOOD SCREW-12	#12 WOOD SCREW	8



DETAIL AB
SCALE 2 : 5



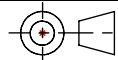
APPROVED FOR PRODUCTION

BY: RICHARD PAUL
DATE: 6/8/2017

UNLESS OTHERWISE STATED

.X	±.3mm
.XX	±.15mm
.XXX	±.008mm

COPYRIGHT © Allied Brass 2017



THIRD ANGLE PROJECTION

DRAWN	6/6/2017	I.M
CHECKED	6/6/2017	P.D
APPROVED	6/6/2017	R.A

MATERIAL:	BRASS
DESCRIPTION:	Pipeline Collection Triple IPE Shelf

FINISH	TBD
QUANTITY	TBD
DRAWING No.	P-490-16-TWS
REV	0
SCALE	1:6
SHEET: 01	A4